

INSTALLATION INSTRUCTIONS

IMPORTANT SAFETY INSTRUCTIONS • SAVE THESE INSTRUCTIONS

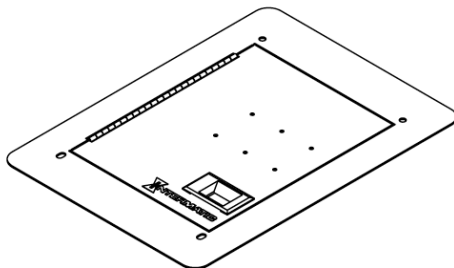
⚠ WARNING *Risk of Fire or Electric Shock*

- For indoor installations only.
- Only use hardware included with flush mount kit for installation.
- Follow all instructions included with surge protective device being used with flush mount kit.
- To be installed and or serviced by qualified personnel.
- Disconnect power at service panel or disconnect switch(es) before installing or servicing.
- Installation and wiring must be in accordance with national and local code requirements.
- **KEEP DOOR CLOSED AT ALL TIMES** when not servicing.

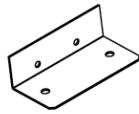
APPLICATION NOTES

1. Thoroughly read instructions before installing flush mount kit.
2. Instructions should be retained for future reference.
3. For use with IG2240-IMS, IG2240-IM and IG2280-IM models. (Figures below show IG2240-IM model)
4. For use with ½" paneling material. (Drywall, panel board, etc.)
5. Observe warnings and instructions on front panel and unit label of flush mount plate and SPD unit.

Included in kit:



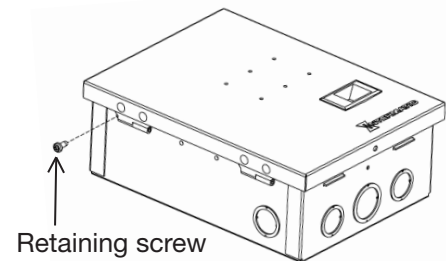
(1) Flush Mount Cover



(2) Mounting
Brackets



(8) #8-32
Serrated
Self-Tapping
Screws



Retaining screw

Figure 1

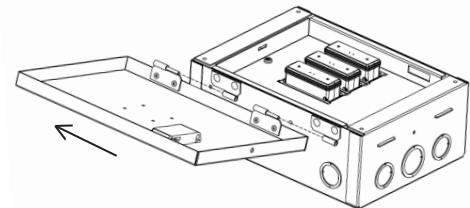


Figure 2

Attach flush mount plate to surge protective device (SPD).

- 1) Remove cover retaining screw. (Fig. 1)
- 2) Remove SPD cover by sliding cover up and off SPD housing. (Fig. 2)
- 3) Attach both mounting brackets using four #8-32 serrated self-tapping screws included with kit. (Fig. 3)

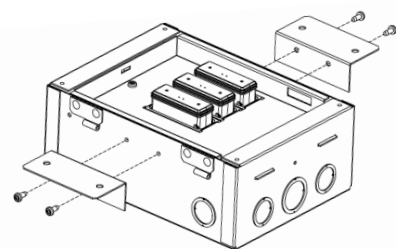


Figure 3

4) Remove face plate and screw from SPD unit. Face plate and screw will be re-secured to SPD housing after wire connections are complete. (Fig. 4)

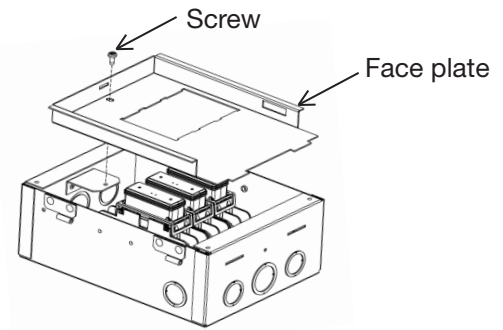


Figure 4

5) Position and secure SPD with mounting brackets to stud. Ensure unit is securely fastened after mounting is complete. (Fig. 5)

(Note: See SPD installation instructions for SPD location and mounting requirements)

6) Run conduit from the SPD unit to the main service panel or disconnect switch. Wire per installation instructions included with SPD unit. (Fig. 5)

7) Replace face plate in SPD unit and secure with screw previously removed.

8) With the SPD face plate securely in place, test the connections to the SPD. Energize to ensure all LED's are functioning properly as described within SPD instruction sheet.

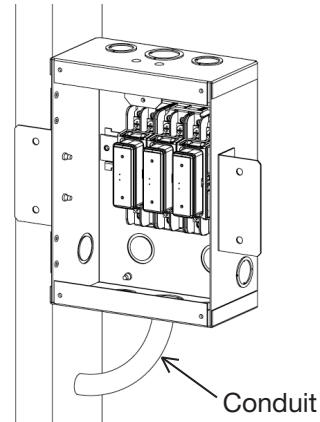


Figure 5

9) De-energize SPD to complete installation.

10) Determine position of the 1/2" thick paneling material and cut a 9 1/4" x 6 3/4" wide rectangular hole. This opening should fit around the SPD unit as shown in figure 6.

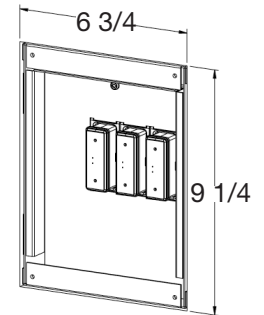


Figure 6

11) Attach flush mount plate with the included #8-32 serrated self-tapping screws included in kit. The door of the flush mount plate should now easily open and latch closed. The door of the SPD should always be closed when not servicing. (Fig. 7)

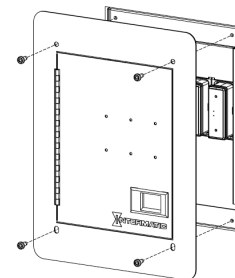


Figure 7

12) Energize and ensure all LED's are functioning properly as described within the SPD instruction sheet.

13) Place the unit label for your SPD model included with the kit to the inside of the flush mount door. Do not cover LED holes when placing label. (Fig. 8)

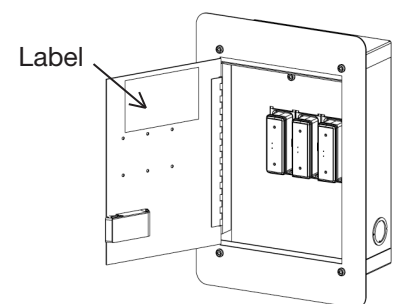


Figure 8